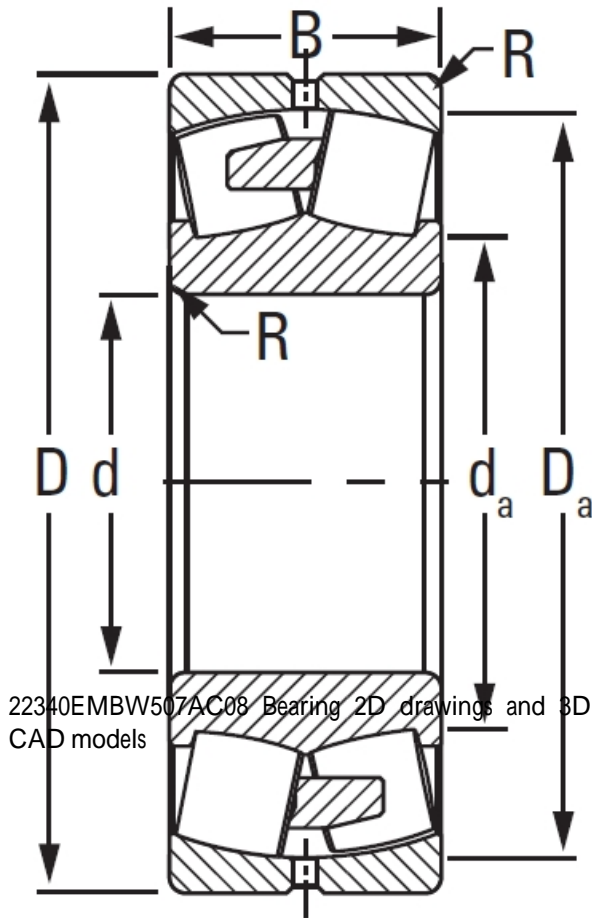




# NTN Bearing Rolamentos do Brasil Ltda.

## timken 22340EMBW507AC08 Spherical Roller Bearings/Brass Cage

Bearing No. 22340EMBW507AC08



22340EMBW507AC08 Bearing 2D drawings and 3D CAD models

Design Unit	METRIC
Bearing Weight	93 Kg
Cage Type	EMB
UPC Code	087796032651
Cage Material	Brass
Superseded Part	22340YMBW507AC08
d	200 mm
D	420 mm
B - Inner Ring Width	138 mm
B - Outer Ring Width	138.000 mm
R - Inner Ring To Clear Radius <sup>1</sup>	4.000 mm
r - Outer Ring To Clear Radius <sup>2</sup>	4.000 mm
da - Inner Ring Backing Diameter	246.000 mm
Da - Outer Ring Backing Diameter	369.000 mm
C0 - Static Radial Rating	2930000 N
C1(2) - Dynamic Radial Rating (Two-Rows)	2470000 N
e - ISO Factor <sup>3</sup>	0.33
Y0 - ISO Factor <sup>4</sup>	2.02
Y1 - ISO Factor <sup>5</sup>	3.01
Y2 - ISO Factor <sup>6</sup>	1.98
Reference Thermal Speed Rating (Grease)	1000



## NTN Bearing Rolamentos do Brasil Ltda.

Reference Thermal Speed Rating (Oil) <sup>7</sup>	1200
Cg - Geometry Factor <sup>8</sup>	0.1034