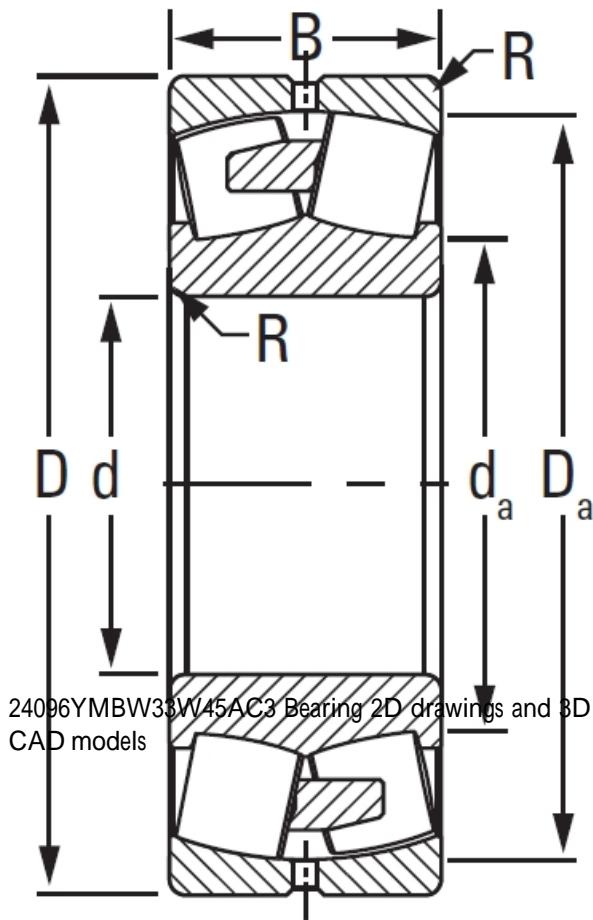




NTN Bearing Rolamentos do Brasil Ltda.

timken 24096YMBW33W45AC3 Spherical Roller Bearings/Brass Cage

Bearing No. 24096YMBW33W45AC3



24096YMBW33W45AC3 Bearing 2D drawings and 3D CAD models

Design Unit	METRIC
Bearing Weight	282.100 Kg
Cage Type	YMB
Cage Material	Brass
d	480.000 mm
D	700.000 mm
B - Inner Ring Width	218 mm
B - Outer Ring Width	218.000 mm
R - Inner Ring To Clear Radius ¹	5.000 mm
r - Outer Ring To Clear Radius ²	5.000 mm
da - Inner Ring Backing Diameter	526.000 mm
Da - Outer Ring Backing Diameter	652.000 mm
C0 - Static Radial Rating	10900000 N
C1(2) - Dynamic Radial Rating (Two-Rows)	5450000 N
e - ISO Factor ³	0.28
Y0 - ISO Factor ⁴	2.45
Y1 - ISO Factor ⁵	3.64
Y2 - ISO Factor ⁶	2.39
Reference Thermal Speed Rating (Grease)	370
Reference Thermal Speed Rating (Oil) ⁷	410
Cg - Geometry Factor ⁸	0.1012



NTN Bearing Rolamentos do Brasil Ltda.