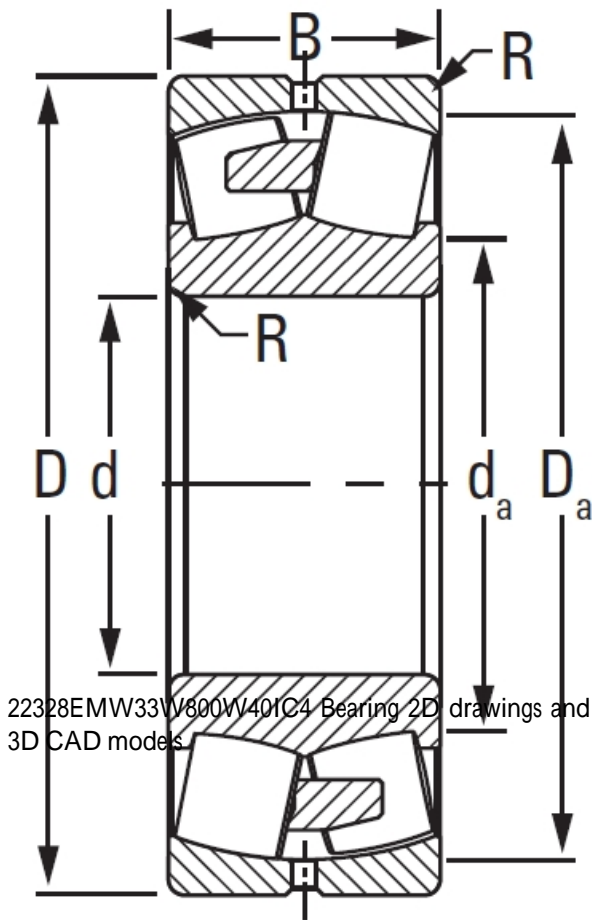




timken 22328EMW33W800W40IC4 Spherical Roller Bearings/Brass Cage

Bearing No. 22328EMW33W800W40IC4



22328EMW33W800W40IC4 Bearing 2D drawings and 3D CAD models

Design Unit	METRIC
Bearing Weight	34.200 Kg
Cage Type	EM
UPC Code	087796027497
Cage Material	Brass
Superseded Part	22328YMW33W800W40IC4
d	140 mm
D	299.989 mm
B - Inner Ring Width	102 mm
B - Outer Ring Width	102.000 mm
R - Inner Ring To Clear Radius ¹	3.0 mm
r - Outer Ring To Clear Radius ²	3.0 mm
da - Inner Ring Backing Diameter	182.000 mm
Da - Outer Ring Backing Diameter	270.000 mm
C0 - Static Radial Rating	1670000 N
C1(2) - Dynamic Radial Rating (Two-Rows)	1450000 N
e - ISO Factor ³	0.33
Y0 - ISO Factor ⁴	2.06
Y1 - ISO Factor ⁵	3.06
Y2 - ISO Factor ⁶	2.01
Reference Thermal Speed Rating (Grease)	1600



NTN Bearing Rolamentos do Brasil Ltda.

Reference Thermal Speed Rating (Oil) ⁷	1800
Cg - Geometry Factor ⁸	0.0914