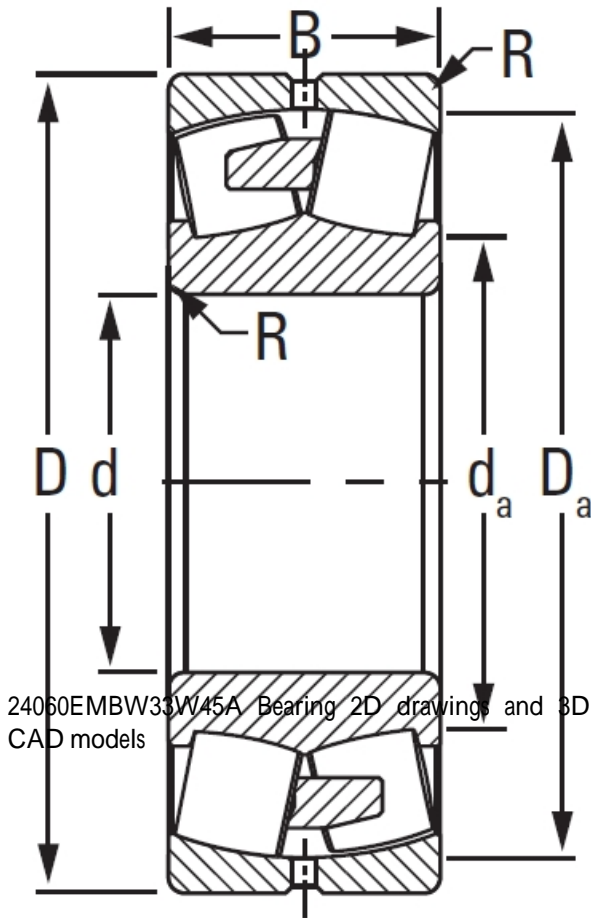




NTN Bearing Rolamentos do Brasil Ltda.

timken 24060EMBW33W45A Spherical Roller Bearings/Brass Cage

Bearing No. 24060EMBW33W45A



24060EMBW33W45A Bearing 2D drawings and 3D CAD models

| | |
|---|-----------------|
| Design Unit | METRIC |
| Bearing Weight | 97.400 Kg |
| Cage Type | EMB |
| UPC Code | 087796032804 |
| Cage Material | Brass |
| Superseded Part | 24060YMBW33W45A |
| d | 300.000 mm |
| D | 460.000 mm |
| B - Inner Ring Width | 160 mm |
| B - Outer Ring Width | 160.000 mm |
| R - Inner Ring To Clear Radius ¹ | 3.0 mm |
| r - Outer Ring To Clear Radius ² | 3.0 mm |
| da - Inner Ring Backing Diameter | 331.000 mm |
| Da - Outer Ring Backing Diameter | 423.000 mm |
| C0 - Static Radial Rating | 5190000 N |
| C1(2) - Dynamic Radial Rating (Two-Rows) | 3070000 N |
| e - ISO Factor ³ | 0.32 |
| Y0 - ISO Factor ⁴ | 2.11 |
| Y1 - ISO Factor ⁵ | 3.13 |
| Y2 - ISO Factor ⁶ | 2.06 |
| Reference Thermal Speed Rating (Grease) | 670 |
| | |



NTN Bearing Rolamentos do Brasil Ltda.

| | |
|---|--------|
| Reference Thermal Speed Rating (Oil) ⁷ | 750 |
| Cg - Geometry Factor ⁸ | 0.1233 |