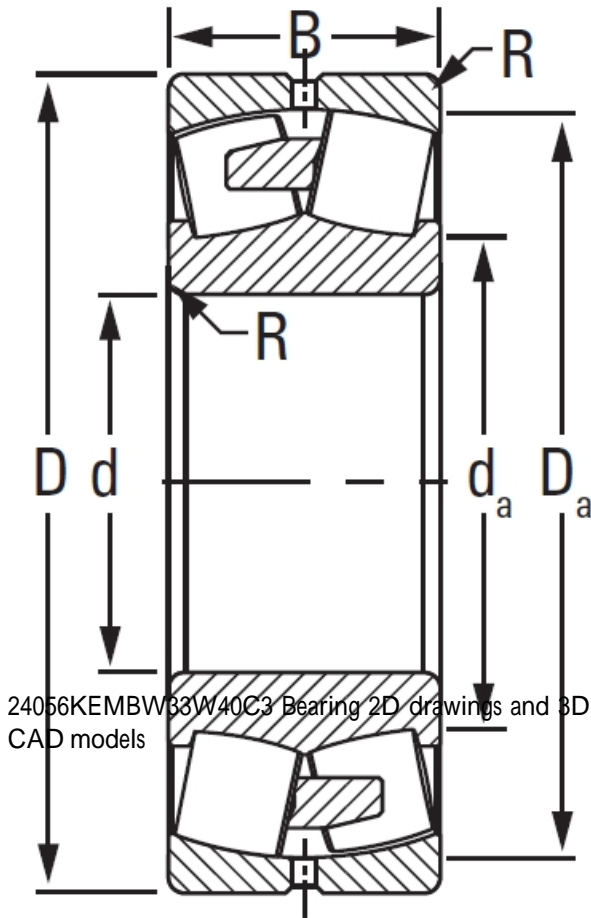




NTN Bearing Rolamentos do Brasil Ltda.

timken 24056KEMBW33W40C3 Spherical Roller Bearings/Brass Cage

Bearing No. 24056KEMBW33W40C3



24056KEMBW33W40C3 Bearing 2D drawings and 3D CAD models

Design Unit	METRIC
Bore Taper	1/30
Bearing Weight	68 Kg
Cage Type	EMB
Cage Material	Brass
Superseded Part	24056KYMBW33W40C3
d	280.000 mm
D	420 mm
B - Inner Ring Width	140 mm
B - Outer Ring Width	140.000 mm
R - Inner Ring To Clear Radius ¹	3.0 mm
r - Outer Ring To Clear Radius ²	3.0 mm
da - Inner Ring Backing Diameter	307.000 mm
Da - Outer Ring Backing Diameter	388.000 mm
C0 - Static Radial Rating	4090000 N
C1(2) - Dynamic Radial Rating (Two-Rows)	2420000 N
e - ISO Factor ³	0.3
Y0 - ISO Factor ⁴	2.25
Y1 - ISO Factor ⁵	3.35
Y2 - ISO Factor ⁶	2.2
Reference Thermal Speed Rating (Grease)	760



NTN Bearing Rolamentos do Brasil Ltda.

Reference Thermal Speed Rating (Oil) ⁷	860
Cg - Geometry Factor ⁸	0.1173