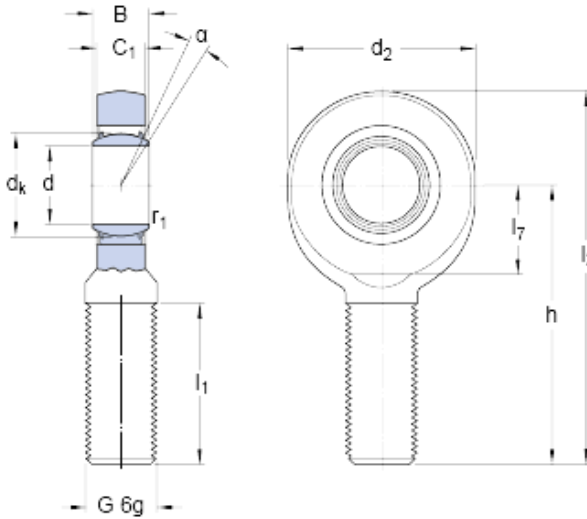




# NTN Bearing Rolamentos do Brasil Ltda.



skf SA 70 TXE-2LS Spherical plain bearings and rod ends with a male thread

Bearing No. SA 70 TXE-2LS

d	70 mm
d <sub>2</sub> max.	162 mm
B	49 mm
G	M 72x4
C <sub>1</sub> max.	43 mm
h	265 mm
	6 °
d <sub>k</sub>	92 mm
l <sub>1</sub> min.	132 mm
l <sub>2</sub> max.	349 mm
l <sub>7</sub> min.	85 mm
r <sub>1</sub> min.	1 mm
Basic dynamic load rating C	880 kN
Basic static load rating C <sub>0</sub>	490 kN
Specific dynamic load factor K	300 N/mm <sup>2</sup>
Mass rod end	10 kg

SA 70 TXE-2LS Bearing 2D drawings and 3D CAD models