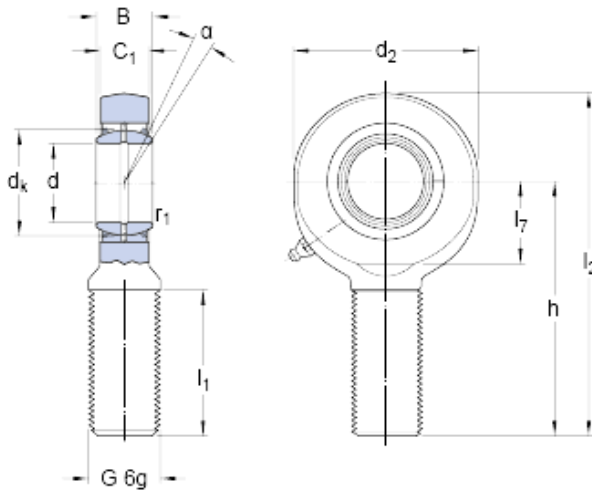




NTN Bearing Rolamentos do Brasil Ltda.



skf SAA 80 ES-2LS Spherical plain bearings and rod ends with a male thread

Bearing No. SAA 80 ES-2LS

d	80 mm
d ₂ max.	182 mm
B	55 mm
G	M 64x4
C ₁ max.	48 mm
h	270 mm
	5 °
d _k	105 mm
l ₁ min.	140 mm
l ₂ max.	364 mm
l ₇ min.	98 mm
r ₁ min.	1 mm
Basic dynamic load rating C	400 kN
Basic static load rating C ₀	585 kN
Specific dynamic load factor K	100 N/mm ²
Material constant K _M	330
Mass rod end	12 kg

SAA 80 ES-2LS Bearing 2D drawings and 3D CAD models