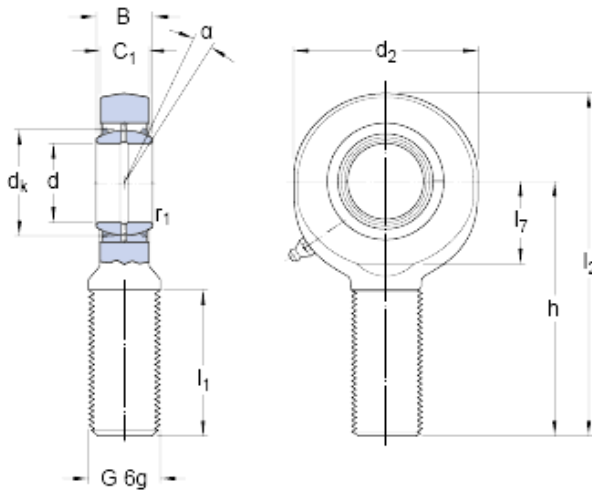




NTN Bearing Rolamentos do Brasil Ltda.



skf SA 40 ES-2LS Spherical plain bearings and rod ends with a male thread

Bearing No. SA 40 ES-2LS

d	40 mm
d ₂ max.	94 mm
B	28 mm
G	M 42x3
C ₁ max.	24 mm
h	145 mm
	6 °
d _k	53 mm
l ₁ min.	76 mm
l ₂ max.	194 mm
l ₇ min.	46 mm
r ₁ min.	0.6 mm
Basic dynamic load rating C	100 kN
Basic static load rating C ₀	140 kN
Specific dynamic load factor K	100 N/mm ²
Material constant K _M	330
Mass rod end	1.9 kg

SA 40 ES-2LS Bearing 2D drawings and 3D CAD models