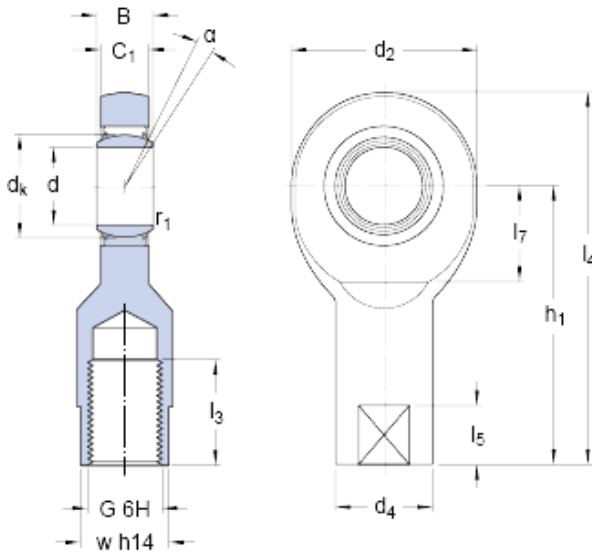




# NTN Bearing Rolamentos do Brasil Ltda.



skf SIL 20 TXE-2LS Spherical plain bearings and rod ends with a female thread

Bearing No. SIL 20 TXE-2LS

d	20 mm
d <sub>2</sub> max.	54 mm
B	16 mm
G	M 20x1.5
C <sub>1</sub> max.	13.5 mm
h <sub>1</sub>	77 mm
	9 °
d <sub>k</sub>	29 mm
d <sub>4</sub>	28 mm
l <sub>3</sub> min.	30 mm
l <sub>4</sub> max.	106 mm
l <sub>5</sub>	16 mm
l <sub>7</sub> min.	24 mm
w	24 mm
r <sub>1</sub> min.	0.3 mm
Basic dynamic load rating C	83 kN
Basic static load rating C <sub>0</sub>	57 kN
Specific dynamic load factor K	300 N/mm <sup>2</sup>
Mass rod end	0.34 kg

SIL 20 TXE-2LS Bearing 2D drawings and 3D CAD models