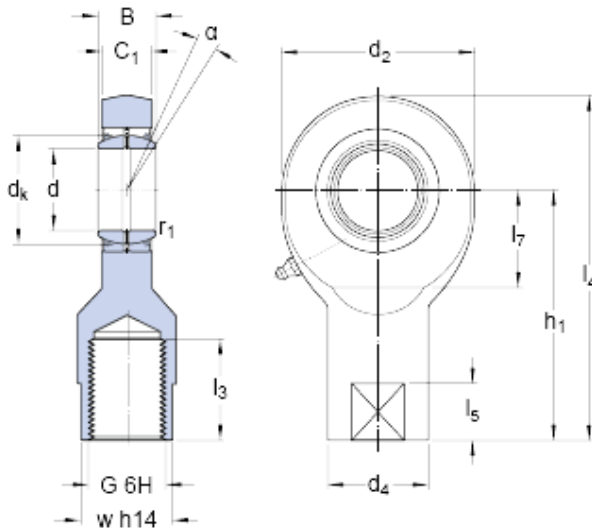




NTN Bearing Rolamentos do Brasil Ltda.



skf SIA 50 ES-2LS Spherical plain bearings and rod ends with a female thread

Bearing No. SIA 50 ES-2LS

d	50 mm
d ₂ max.	114 mm
B	35 mm
G	M 45x3
C ₁ max.	31 mm
h ₁	160 mm
	6 °
d _k	66 mm
d ₄	70 mm
l ₃ min.	68 mm
l ₄ max.	219 mm
l ₅	30 mm
l ₇ min.	60 mm
w	60 mm
r ₁ min.	0.6 mm
Basic dynamic load rating C	156 kN
Basic static load rating C ₀	270 kN
Specific dynamic load factor K	100 N/mm ²
Material constant K _M	330
Mass rod end	4.1 kg

SIA 50 ES-2LS Bearing 2D drawings and 3D CAD models