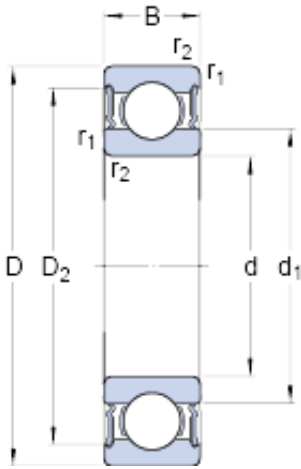




NTN Bearing Rolamentos do Brasil Ltda.



17 mm x 35 mm x 10 mm skf W
6003-2RS1/VP311 Deep groove ball bearings

Bearing No. W 6003-2RS1/VP311

W 6003-2RS1/VP311 Bearing 2D drawings and 3D CAD models

Size	35x17x10 mm
Bore Diameter	35 mm
Outer Diameter	17 mm
Width	10 mm
d	17 mm
D	35 mm
B	10 mm
d ₁	23.5 mm
D ₂	31.85 mm
r _{1,2} - min.	0.3 mm
d _a - min.	19 mm
d _a - max.	23 mm
D _a - max.	33 mm
r _a - max.	0.3 mm
Basic dynamic load rating - C	4.9 kN
Basic static load rating - C ₀	3.2 kN
Fatigue load limit - P _u	0.137 kN
Limiting speed	13000 r/min
Calculation factor - k _r	0.03
Calculation factor - f ₀	14.1
Category	Bearings
Inventory	0.0
Manufacturer Name	SKF
Minimum Buy Quantity	N/A



NTN Bearing Rolamentos do Brasil Ltda.

Weight / Kilogram	0
Product Group	B00152
d_1	23.5 mm
D_2	31.85 mm
$r_{1,2}$ min.	0.3 mm
d_a min.	19 mm
d_a max.	23 mm
D_a max.	33 mm
r_a max.	0.3 mm
Basic dynamic load rating C	4.94 kN
Basic static load rating C_0	3.15 kN
Fatigue load limit P_u	0.137 kN
Calculation factor k_f	0.03
Calculation factor f_0	14.1
Mass bearing	0.038 kg