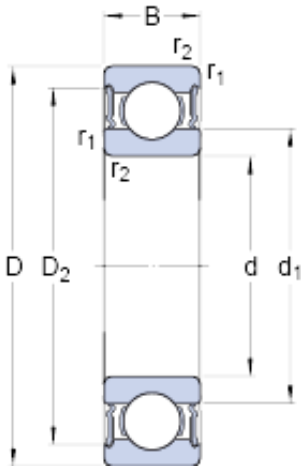




NTN Bearing Rolamentos do Brasil Ltda.



25 mm x 47 mm x 12 mm skf W 6005-2RS1 Deep groove ball bearings

Bearing No. W 6005-2RS1

W 6005-2RS1 Bearing 2D drawings and 3D CAD models

Size	47x25x12 mm
Bore Diameter	47 mm
Outer Diameter	25 mm
Width	12 mm
d	25 mm
D	47 mm
B	12 mm
d ₁	31.7 mm
D ₂	42.7 mm
r _{1,2} - min.	0.6 mm
d _a - min.	29 mm
d _a - max.	31.5 mm
D _a - max.	44.5 mm
r _a - max.	0.6 mm
Basic dynamic load rating - C	10.1 kN
Basic static load rating - C ₀	5.8 kN
Fatigue load limit - P _u	0.25 kN
Limiting speed	9500 r/min
Calculation factor - k _r	0.03
Calculation factor - f ₀	14.5
Category	Single Row Ball Bearings
Inventory	10.0
Manufacturer Name	SKF
Minimum Buy Quantity	N/A



NTN Bearing Rolamentos do Brasil Ltda.

Weight / Kilogram	0.075
EAN	7316570188356
Product Group	B00308
Enclosure	2 Seals
Precision Class	ABEC 1 ISO P0
Maximum Capacity / Filling Slot	No
Rolling Element	Ball Bearing
Snap Ring	No
Internal Special Features	No
Cage Material	Stainless Steel
Enclosure Type	Contact Seal
Internal Clearance	C0-Medium
Inch - Metric	Metric
Long Description	25MM Bore; 47MM Outside Diameter; 12MM Outer Race Width; 2 Seals; Ball Bearing; ABEC 1 ISO P0; No Filling Slot; No Snap Ring; No Internal Special Features; C0-Medium Internal Clearance; Stainless St
Other Features	Deep Groove NBR Seal
Category	Single Row Ball Bearing
UNSPSC	31171504
Harmonized Tariff Code	8482.10.50.68
Noun	Bearing
Keyword String	Ball
Manufacturer URL	http://www.skf.com
Manufacturer Item Number	W 6005-2RS1
Weight / LBS	0.182
Inner Race Width	0 Inch 0 Millimeter
Outside Diameter	1.85 Inch 47 Millimeter
Bore	0.984 Inch 25 Millimeter



NTN Bearing Rolamentos do Brasil Ltda.

Outer Race Width	0.472 Inch 12 Millimeter
d_1	31.7 mm
D_2	42.73 mm
$r_{1,2}$ min.	0.6 mm
d_a min.	29 mm
d_a max.	31.5 mm
D_a max.	44.5 mm
r_a max.	0.6 mm
Basic dynamic load rating C	8.71 kN
Basic static load rating C_0	5.85 kN
Fatigue load limit P_u	0.25 kN
Calculation factor k_r	0.03
Calculation factor f_0	14.5
Mass bearing	0.077 kg