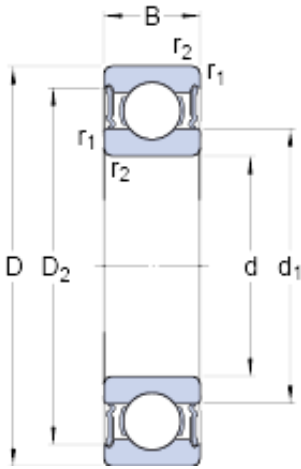




NTN Bearing Rolamentos do Brasil Ltda.



60 mm x 130 mm x 46 mm skf 62312-2RS1
Deep groove ball bearings

Bearing No. 62312-2RS1

62312-2RS1 Bearing 2D drawings and 3D CAD models

Size	130x60x46 mm
Bore Diameter	130 mm
Outer Diameter	60 mm
Width	46 mm
d	60 mm
D	130 mm
B	46 mm
d ₁	81.86 mm
D ₂	112.2 mm
r _{1,2} - min.	2.1 mm
d _a - min.	72 mm
d _a - max.	81.8 mm
D _a - max.	118 mm
r _a - max.	2 mm
Basic dynamic load rating - C	81.9 kN
Basic static load rating - C ₀	52 kN
Fatigue load limit - P _u	2.2 kN
Limiting speed	3400 r/min
Calculation factor - k _r	0.03
Calculation factor - f ₀	13.1
Category	Single Row Ball Bearings
Inventory	0.0
Manufacturer Name	SKF
Minimum Buy Quantity	N/A



NTN Bearing Rolamentos do Brasil Ltda.

Weight / Kilogram	2.49
EAN	7316577080646
Product Group	B00308
Enclosure	2 Seals
Precision Class	ABEC 1 ISO P0
Maximum Capacity / Filling Slot	No
Rolling Element	Ball Bearing
Snap Ring	No
Internal Special Features	No
Cage Material	Steel
Enclosure Type	Contact Seal
Internal Clearance	C0-Medium
Inch - Metric	Metric
Long Description	60MM Bore; 130MM Outside Diameter; 46MM Outer Race Diameter; 2 Seals; Ball Bearing; ABEC 1 ISO P0; No Filling Slot; No Snap Ring; No Internal Special Features
Other Features	Cartridge Bearing
Category	Single Row Ball Bearing
UNSPSC	31171504
Harmonized Tariff Code	8482.10.50.68
Noun	Bearing
Keyword String	Ball
Manufacturer URL	http://www.skf.com
Manufacturer Item Number	62312-2RS1
Weight / LBS	5.478
Bore	2.362 Inch 60 Millimeter
Outside Diameter	5.118 Inch 130 Millimeter
Outer Race Width	1.811 Inch 46 Millimeter
bore diameter:	60 mm



NTN Bearing Rolamentos do Brasil Ltda.

static load capacity:	52 kN
outside diameter:	130 mm
precision rating:	ABEC 1 (ISO Class Normal)
overall width:	46 mm
finish/coating:	Uncoated
bore type:	Round
cage material:	Steel
closure type:	Double Sealed
outer ring width:	46 mm
row type & fill slot:	Single Row Non-Fill Slot
fillet radius:	2 mm
internal clearance:	C0
maximum rpm:	3400 RPM
operating temperature range:	-40 to +210 ° F
series:	62
dynamic load capacity:	81.9 kN
d_1	81.86 mm
D_2	112.2 mm
$r_{1,2}$ min.	2.1 mm
d_a min.	72 mm
d_a max.	81.8 mm
D_a max.	118 mm
r_a max.	2 mm
Basic dynamic load rating C	81.9 kN
Basic static load rating C_0	52 kN
Fatigue load limit P_u	2.2 kN
Calculation factor k_r	0.03
Calculation factor f_0	13.1
Mass bearing	2.56 kg