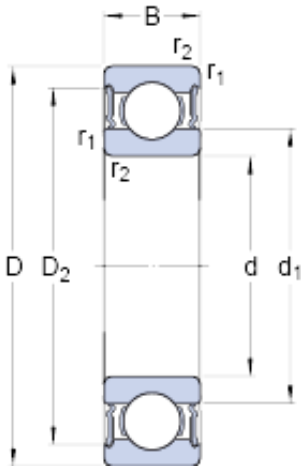




NTN Bearing Rolamentos do Brasil Ltda.



19.05 mm x 47.625 mm x 14.288 mm skf RLS
6-2RS1 Deep groove ball bearings

Bearing No. RLS 6-2RS1

RLS 6-2RS1 Bearing 2D drawings and 3D CAD models

Size	47.625x19.05x14.288 mm
Bore Diameter	47,625 mm
Outer Diameter	19,05 mm
Width	14,288 mm
d	19.05 mm
D	47.625 mm
B	14.288 mm
d ₁	28.8 mm
D ₂	40.59 mm
r _{1,2} - min.	1.6 mm
d _a - min.	26 mm
d _a - max.	28.6 mm
D _a - max.	40 mm
r _a - max.	1.5 mm
Basic dynamic load rating - C	12.7 kN
Basic static load rating - C ₀	6.6 kN
Fatigue load limit - P _u	0.28 kN
Reference speed	32000 r/min
Limiting speed	10000 r/min
Calculation factor - k _r	0.025
Calculation factor - f ₀	13
Category	Single Row Ball Bearings
Inventory	0.0
Manufacturer Name	SKF



NTN Bearing Rolamentos do Brasil Ltda.

Minimum Buy Quantity	N/A
Weight / Kilogram	0.121
EAN	7316577017635
Product Group	B00308
Enclosure	2 Seals
Precision Class	ABEC 1 ISO P0
Maximum Capacity / Filling Slot	No
Rolling Element	Ball Bearing
Snap Ring	No
Internal Special Features	No
Cage Material	Steel
Enclosure Type	Contact Seal
Internal Clearance	C0-Medium
Inch - Metric	Inch
Long Description	3/4" Bore; 1-7/8" Outside Diameter; 9/16" Outer Race Width; 2 Seals; Ball Bearing; ABEC 1 ISO P0; No Filling Slot; No Snap Ring; No Internal Special Features; C0-Medium Internal Clear
Other Features	Light Duty
Category	Single Row Ball Bearing
UNSPSC	31171504
Harmonized Tariff Code	8482.10.50.68
Noun	Bearing
Keyword String	Ball
Manufacturer URL	http://www.skf.com
Weight / LBS	0.268
Inner Race Width	0 Inch 0 Millimeter
Outer Race Width	0.563 Inch 14.3 Millimeter
Bore	0.75 Inch 19.05 Millimeter
Outside Diameter	1.875 Inch 47.625 Millimeter



NTN Bearing Rolamentos do Brasil Ltda.

bore diameter:	0.7500 in
static load capacity:	6.55 kN
outside diameter:	1.8750 in
precision rating:	Not Rated
overall width:	0.5625 in
finish/coating:	Uncoated
bore type:	Round
cage material:	Steel
closure type:	Double Sealed
outer ring width:	14.287 mm
row type & fill slot:	Single Row Non-Fill Slot
fillet radius:	1.5 mm
internal clearance:	C0
maximum rpm:	10000 RPM
dynamic load capacity:	12.7 kN
series:	RLS
d_1	28.8 mm
D_2	40.59 mm
$r_{1,2}$ min.	1.6 mm
d_a min.	26 mm
d_a max.	28.6 mm
D_a max.	40 mm
r_a max.	1.5 mm
Basic dynamic load rating C	12.7 kN
Basic static load rating C_0	6.55 kN
Fatigue load limit P_u	0.28 kN
Calculation factor k_r	0.025
Calculation factor f_0	13
Mass bearing	0.12 kg