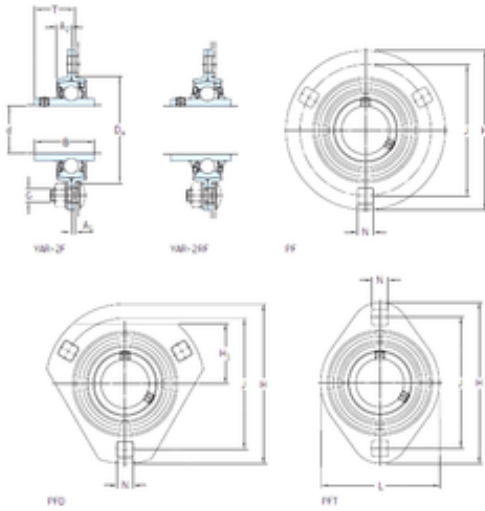




NTN Bearing Rolamentos do Brasil Ltda.



skf PFT 20 TR Ball bearing oval flanged units

Bearing No. PFT 20 TR

Bore Diameter	20 mm
Width	31 mm
d	20 mm
Da	55 mm
A1	2 mm
B	31 mm
G	8 mm
H	91 mm
H1	– mm
J	71,5 mm
L	67 mm
N	8,7 mm
T	20,3 mm
A2	8 mm
Weight	0,23 Kg
Basic dynamic load rating (C)	12,7 kN
Basic static load rating (C0)	6,55 kN
Housing material	Pressed steel
D _a min.	51 mm
A ₁	2 mm
A ₂	8 mm
B ₄	4.5 mm
s ₁	18.3 mm
Basic dynamic load rating C	12.7 kN
Basic static load rating C ₀	6.55 kN
Fatigue load limit P _u	0.28 kN

PFT 20 TR Bearing 2D drawings and 3D CAD models



NTN Bearing Rolamentos do Brasil Ltda.

Limiting speed	5000 r/min
Mass bearing unit	0.24 kg
Thread grub screw G ₂	M6x0.75
Hexagonal key size for grub screw N	3 mm
Recommended tightening torque for grub screw	4 N · m
Recommended diameter for attachment bolts, mm G	8 mm
Recommended diameter for attachment bolts, inch G	0.3125 in