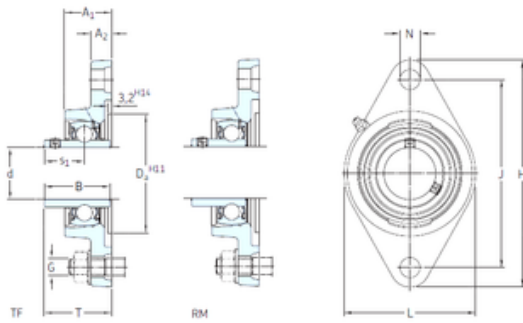




skf FYTJ 3/4 TF Ball bearing oval flanged units



Bearing No. FYTJ 3/4 TF

Bore Diameter	19.05 mm
Width	31 mm
d	19.05 mm
s1	18,3 mm
A1	25,5 mm
B	31 mm
G	10 mm
H	112 mm
J	90 mm
L	60 mm
N	12 mm
T	33,3 mm
A2	12 mm
Weight	0,43 Kg
Basic dynamic load rating (C)	12,7 kN
Basic static load rating (C0)	6,55 kN
Fatigue load limit (Pu)	0,28
Housing material	Cast iron
D _a	50.8 mm
D _{b1}	58 mm
D _{b2}	60 mm
A	25.5 mm
A ₁	12 mm
A ₃	3.2 mm
B ₄	4.5 mm
s ₁	18.3 mm

FYTJ 3/4 TF Bearing 2D drawings and 3D CAD models



NTN Bearing Rolamentos do Brasil Ltda.

R_G	1/4-28 UNF
R_1	16.5 mm
R	45 °
D_N	6.5 mm
SW_N	7 mm
G_N	1/4-28 SAE-LT
J_6	74 mm
J_7	11.5 mm
N_4	2 mm
Basic dynamic load rating C	12.7 kN
Basic static load rating C_0	6.55 kN
Fatigue load limit P_u	0.28 kN
Limiting speed	8500 r/min
Mass bearing unit	0.45 kg
Thread grub screw G_2	1/4-28 UNF
Hexagonal key size for grub screw N	3.175 mm
Recommended tightening torque for grub screw	4 N · m
Recommended diameter for attachment bolts, mm G	10 mm
Recommended diameter for attachment bolts, inch G	0.375 in
Housing	FYTJ 504
Bearing	YAR 204-012-2F